

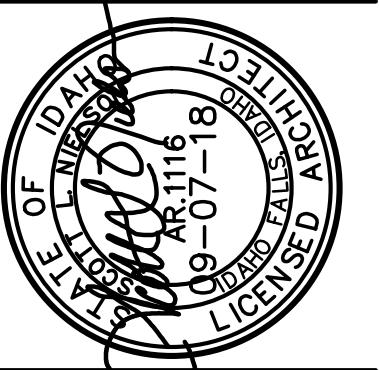
STEEPLE REPAIR FOR: BRENTWOOD, TAYLOR CROSSING, WESTHILL WARDS &

IDAHO FALLS IDAHO WEST STAKE

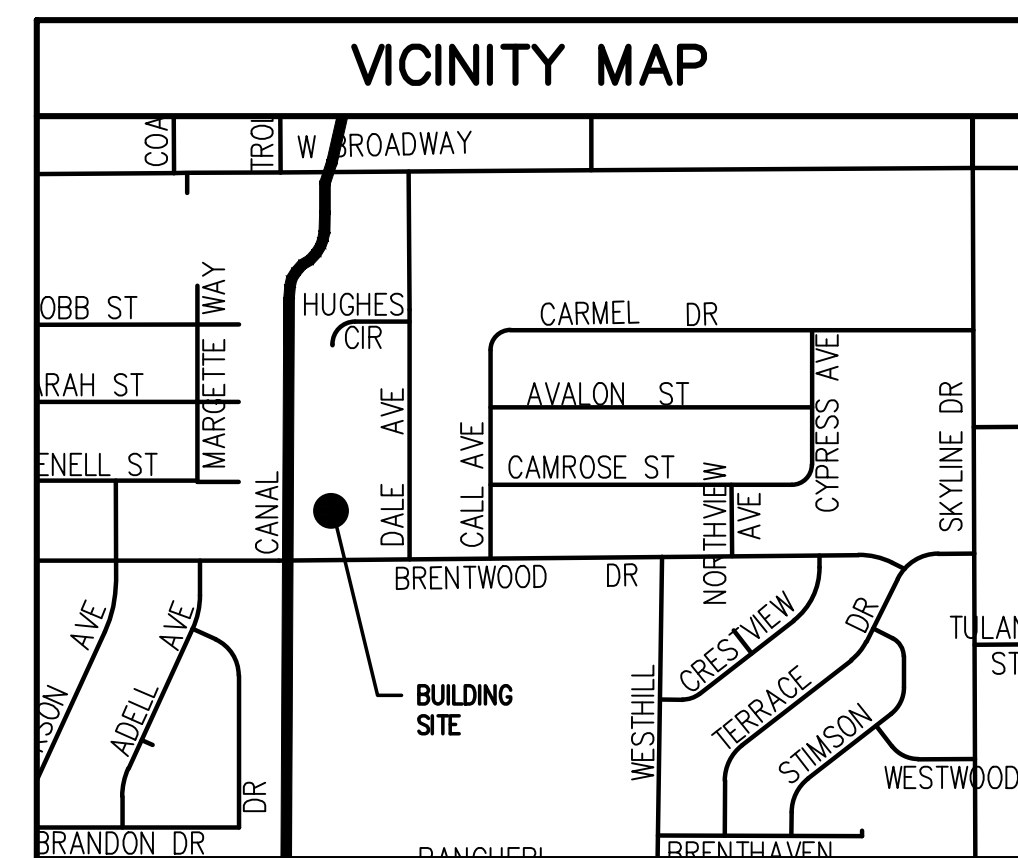
BUILDING ADDRESS:
2040 BRENTWOOD DR.
IDAHO FALLS, ID. 83402

CHURCH PROPERTY # 510-3371

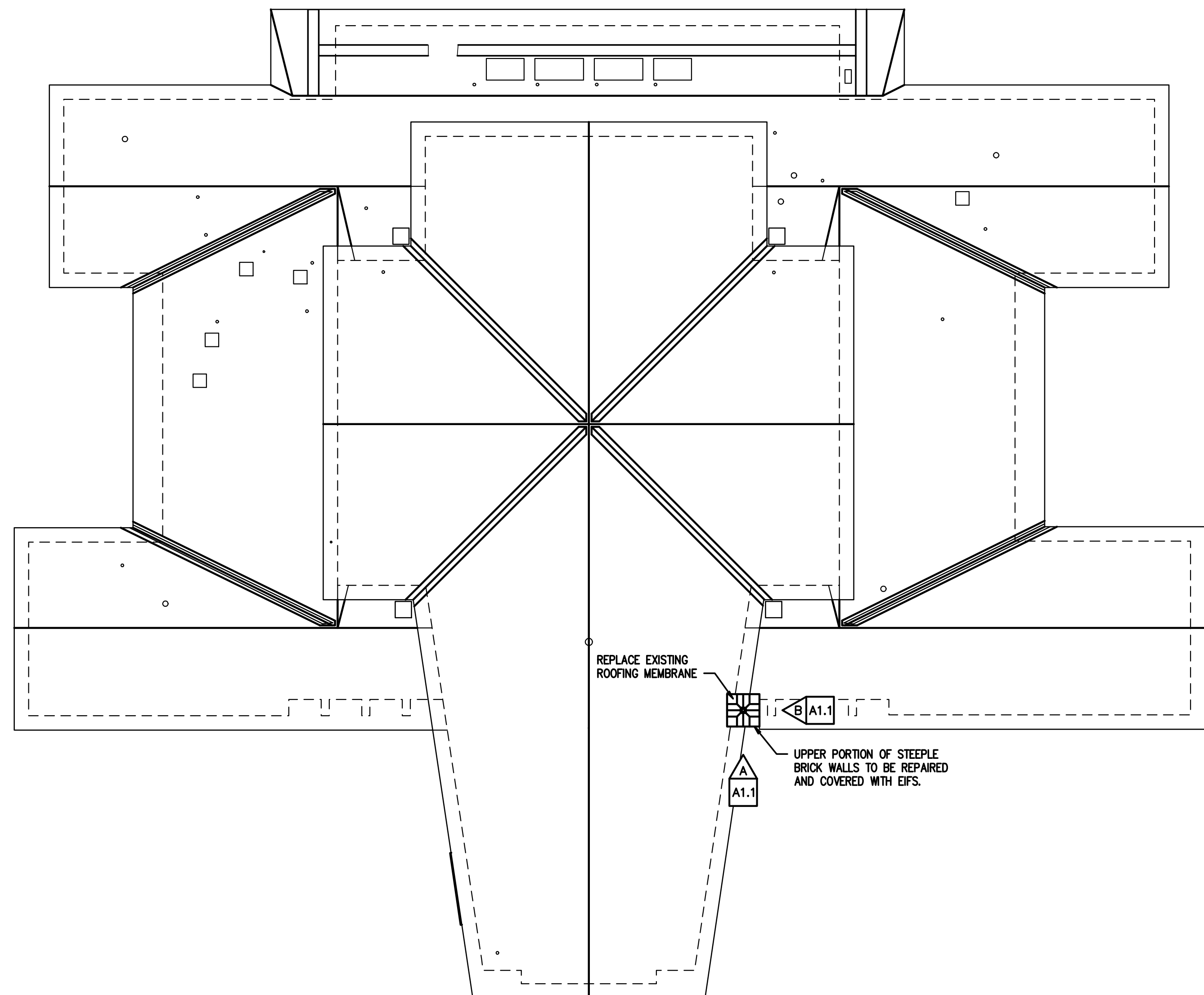
THE CHURCH OF
JESUS CHRIST
OF LATTER-DAY SAINTS



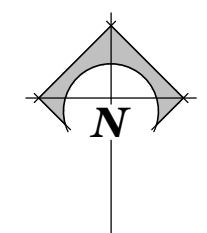
nbwarchitects p.a.
ARCHITECTURE / PLANNING / INTERIORS
SCOTT L. NIELSON, A.I.A., KEVIN R. BODILY, A.I.A., JAMES H. WYATT, A.I.A.
930 JOHN JONES PARKWAY, P.O. BOX 2712, IDAHO FALLS, IDAHO 83402, 2012
(208) 522-8779 | 208-522-8785 | nbw.architects.com



DRAWING INDEX	
GENERAL	
TS0.1	TITLE SHEET, INDEX & ROOF KEY PLAN
ARCHITECTURAL	
A1.1	STEEPLE ELEVATIONS AND DETAILS



ROOF KEY PLAN
SCALE: 1/32" = 1'-0"



PROJECT:
BRENTWOOD, TAYLOR CROSSING, WESTHILL WARDS &
IDAHO FALLS IDAHO WEST STAKE
PROPERTY # 510-3371

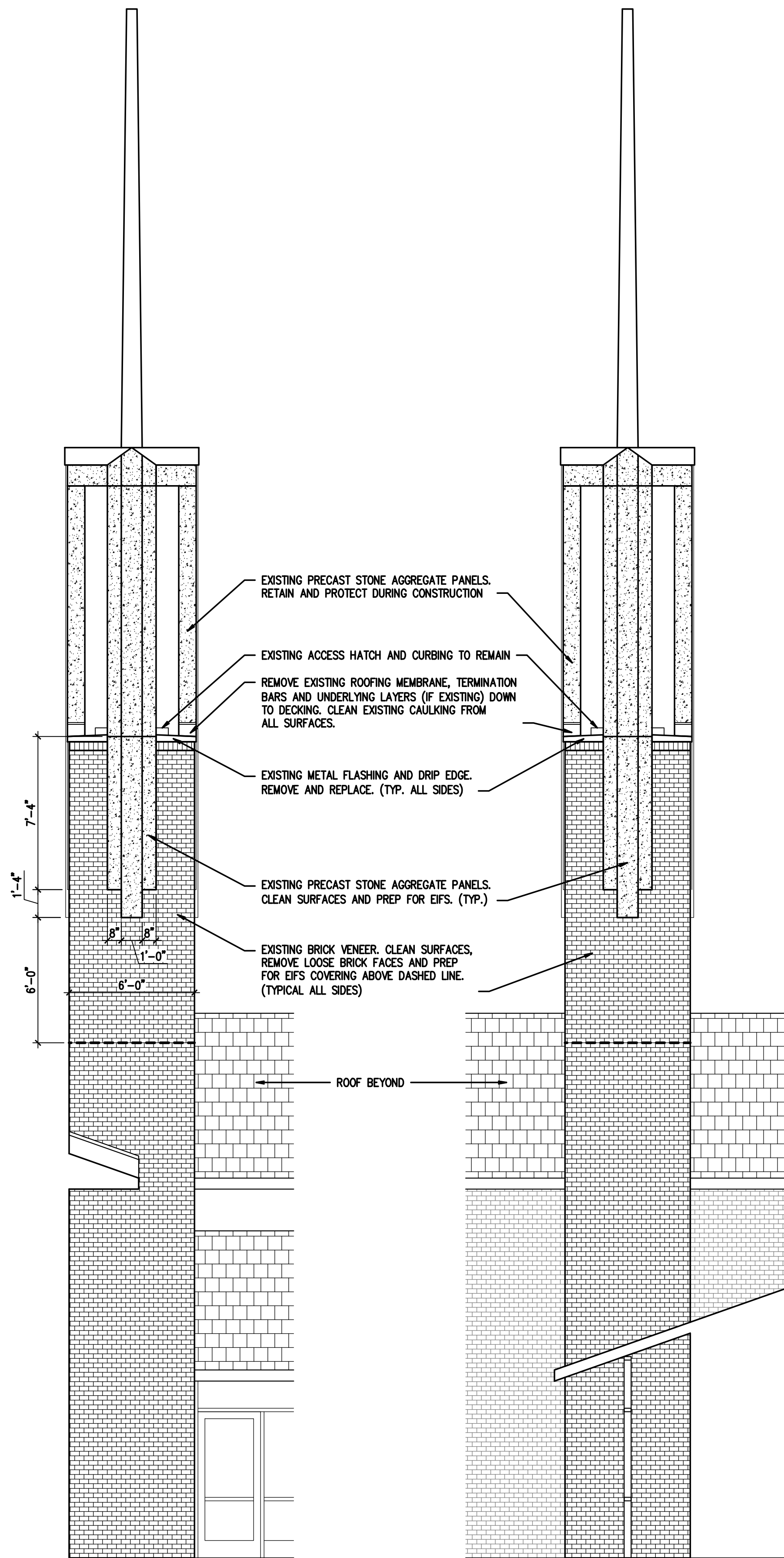
REVISIONS

PROJECT NO.
17047
DATE:
SEPTEMBER 2018
DRAWN BY:
CJR
CHECKED BY:
SLN

DRAWING NO.:

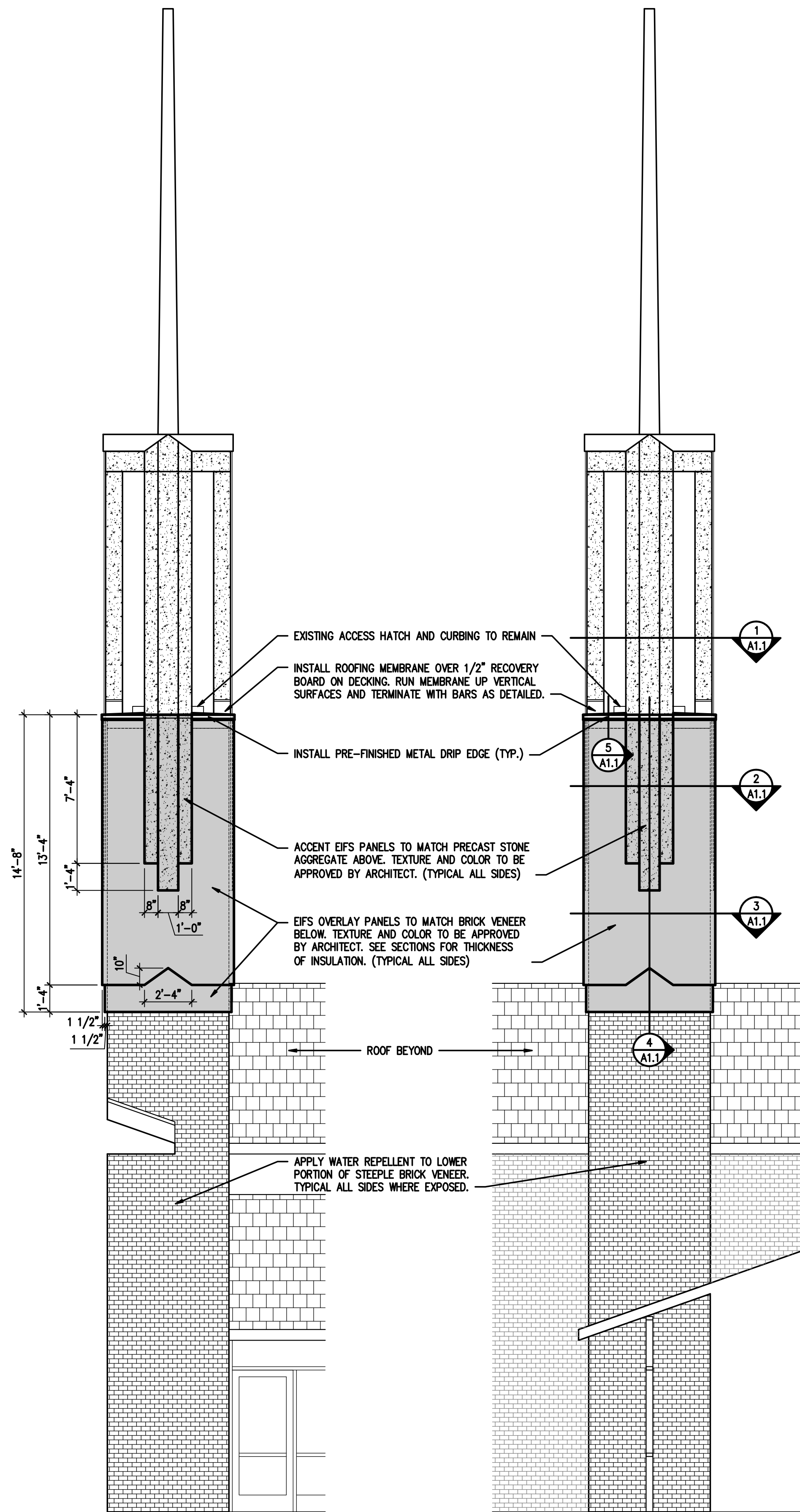
TS1.1

0/12/2018 1:55:13 PM N:\Projects\Church\Brentwood Steeple Repair - 17047.rvt Drawing\17047_A1.1.dwg



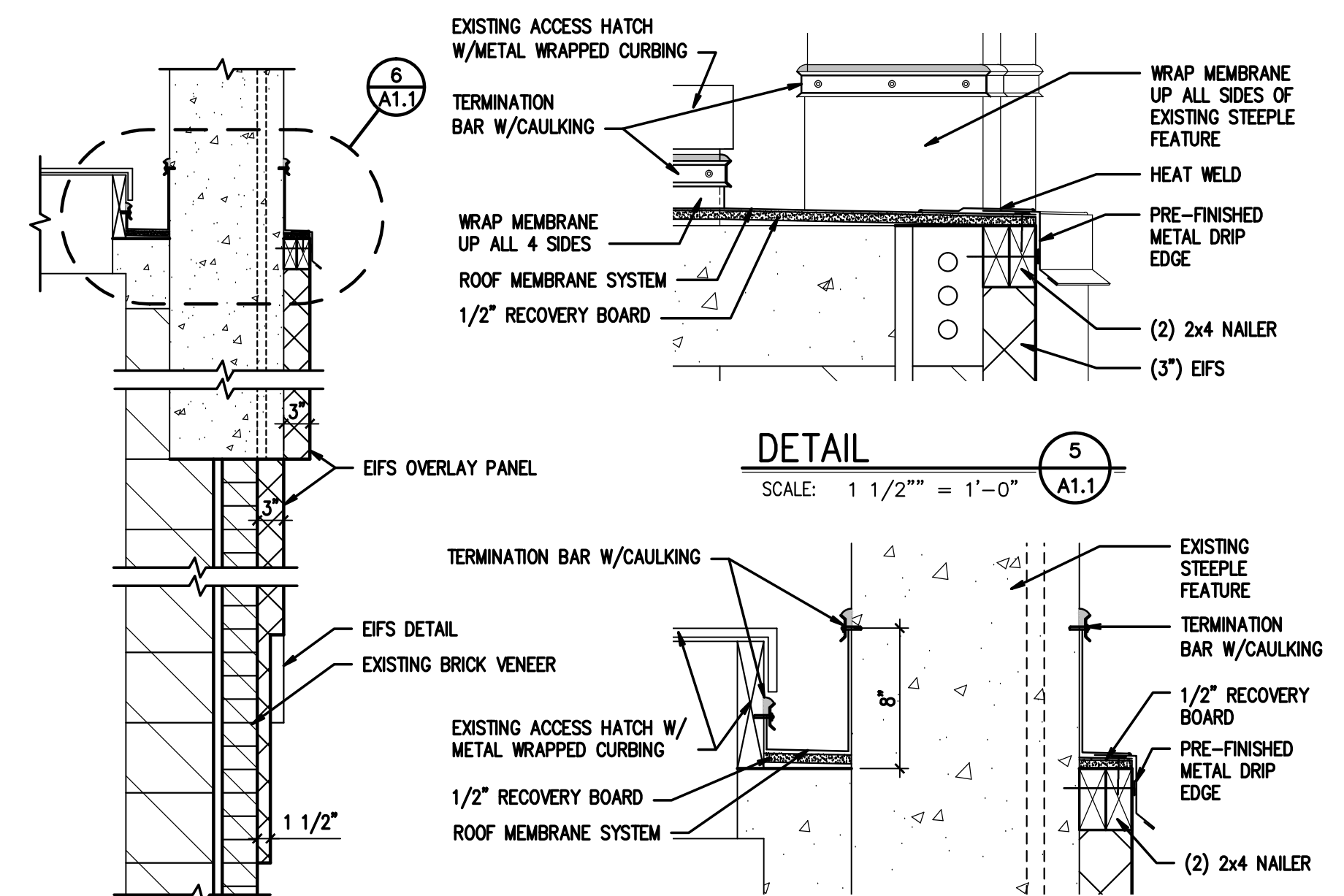
SOUTH ELEVATION A
SCALE: 1/4" = 1'-0" A1.1

EAST ELEVATION B
SCALE: 1/4" = 1'-0" A1.1



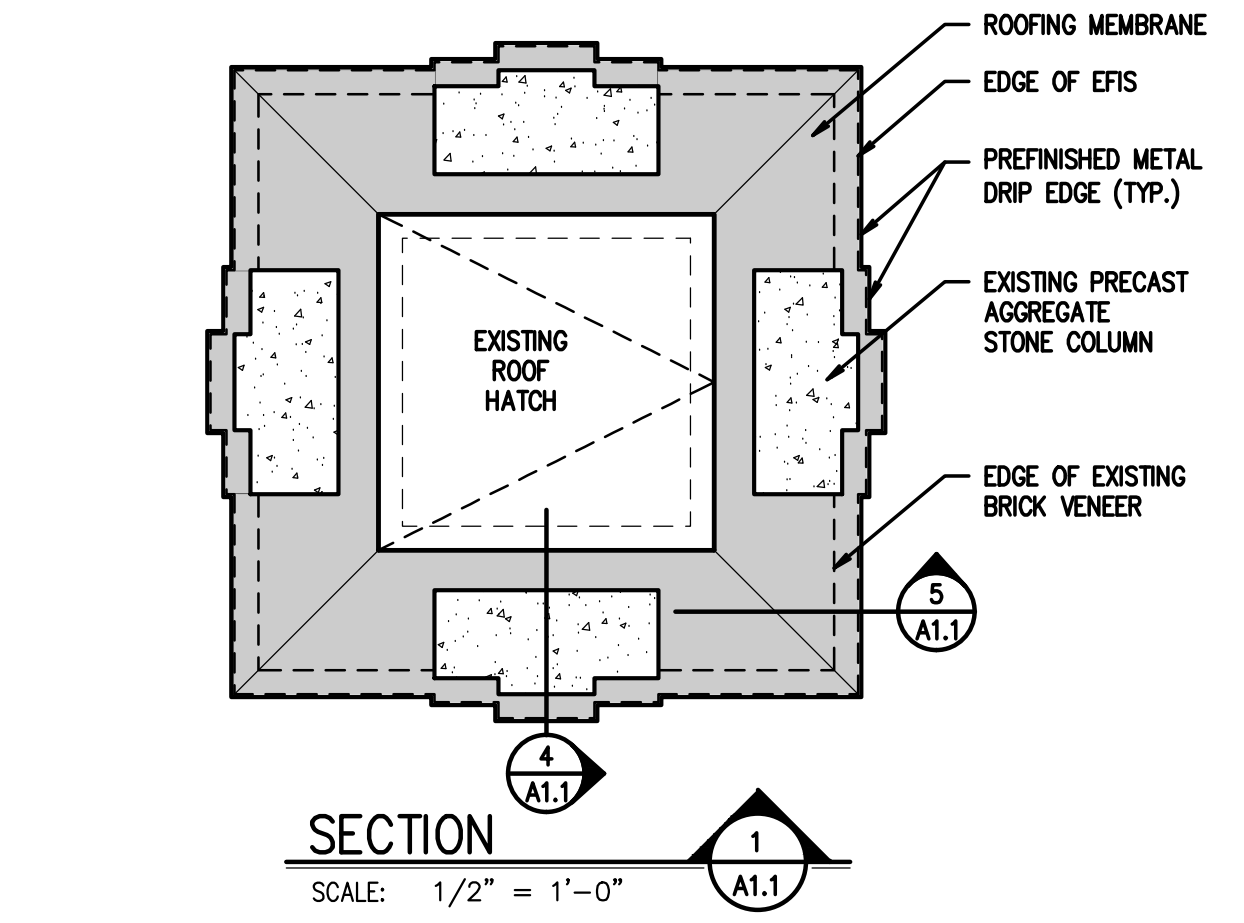
SOUTH ELEVATION C
SCALE: 1/4" = 1'-0" A1.1

EAST ELEVATION D
SCALE: 1/4" = 1'-0" A1.1

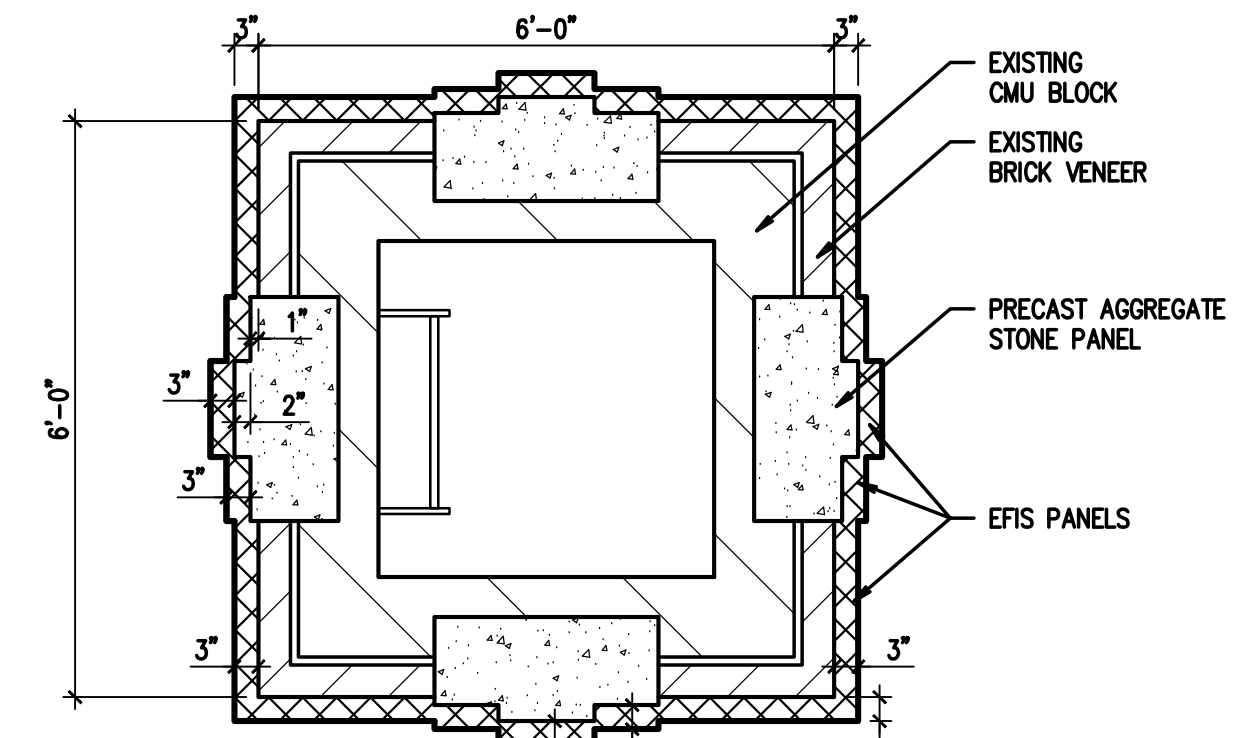


DETAIL 4
SCALE: 3/4" = 1'-0" A1.1

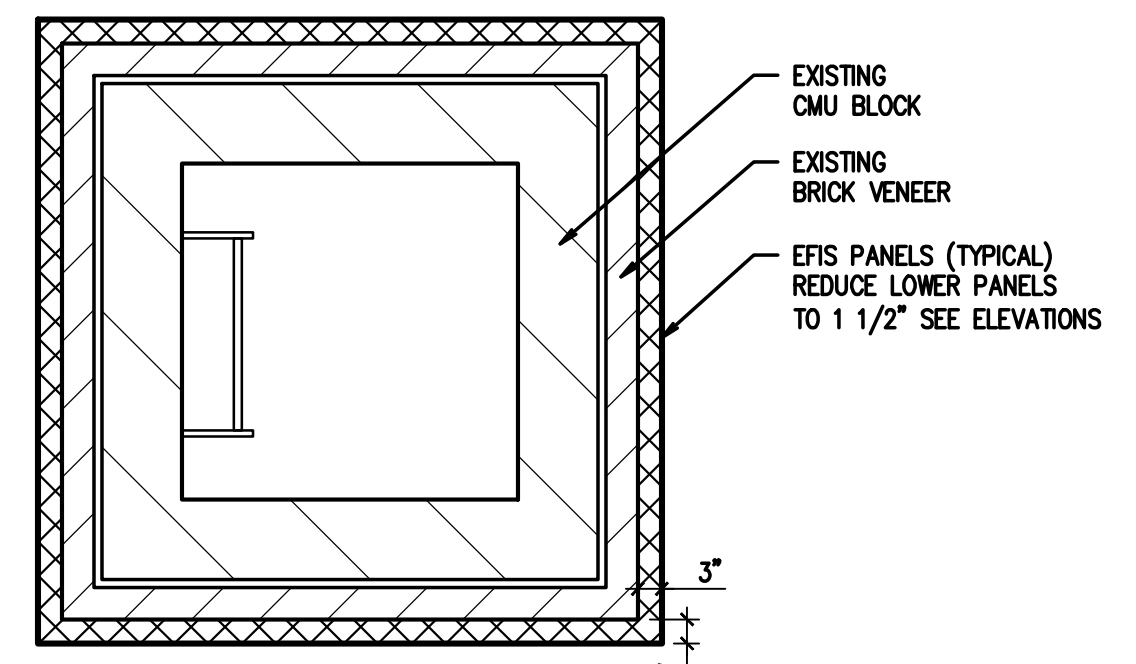
DETAIL 5
SCALE: 1 1/2" = 1'-0" A1.1



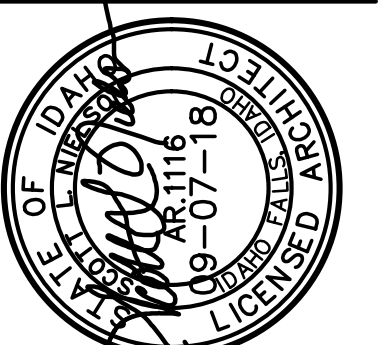
SECTION 1
SCALE: 1/2" = 1'-0" A1.1



SECTION 2
SCALE: 1/2" = 1'-0" A1.1



SECTION 3
SCALE: 1/2" = 1'-0" A1.1



nwarchitects p.a.
ARCHITECTURE / PLANNING / INTERIORS
SCOTT L. NIELSON, A.I.A., KEVIN R. BODILY, A.I.A., JAMES H. WYATT, A.I.A.
900 JOHN BOHNS PARKWAY, P.O. BOX 2212, IDAHO FALLS, IDAHO 83402, 2012
(208) 522-8779 | 208-522-8785 | info@nwarchitects.com

PROJECT: **BRENTWOOD, TAYLOR CROSSING, WESTHILL WARDS & IDAHO FALLS IDAHO WEST STAKE**
PROPERTY # 510-3371

SHEET TITLE: **STEEPLE ELEVATIONS AND DETAILS**

REVISIONS

NO.	DATE	DESCRIPTION

PROJECT NO. 17047
DATE: SEPTEMBER 2018
DRAWN BY: C.J.R.
CHECKED BY: SLN

DRAWING NO.:

A1.1